

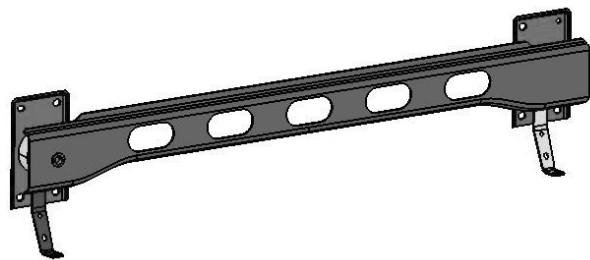
10W 4513

Fiat Ducato/Citroen Jumper/Peugeot Boxer Md. 2014
Fiat Ducato L2-H2 Md. 2021
EU-pedestrian protection bar 76 mm
EU-Personenschutzbügel 76 mm
Protection avant, homologuée CEE, 76 mm



large crashbox
grosse Crashbox
grande crashbox

short crashbox - order separately 10W9913
kurze Crashbox - zusätzlich 10W9913 bestellen
court crashbox - commander séparément 10W9913



ASSEMBLY INSTRUCTION

Montageanleitung • Instructions de montage

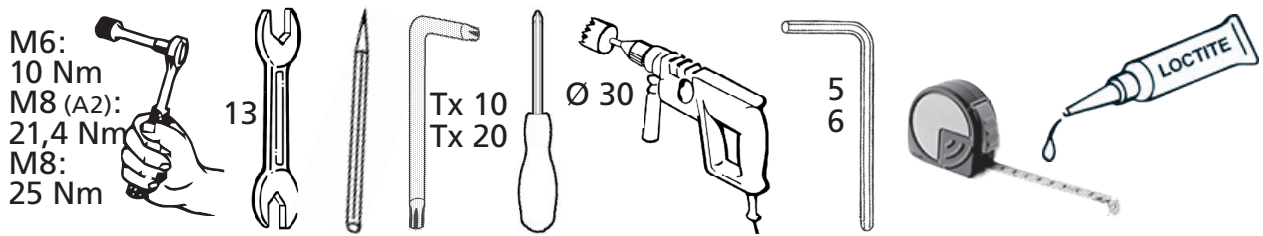


45 Minuten

Artikel-Nr:
10W4513(S) stainless steel
10W5513 black steel

Revision 6: 06.04.2023





mounting kit: 10W9513

<p>2 10W5225.1_R / 10W5225.2_L 2x</p>	<table border="1"> <tr> <td>a</td> <td></td> <td>Ø 8,4; DIN 9021 Zn</td> <td>4x</td> </tr> <tr> <td>b</td> <td></td> <td>Ø 8; DIN 127 Zn</td> <td>4x</td> </tr> <tr> <td>c</td> <td></td> <td>M8; DIN 934 Zn</td> <td>4x</td> </tr> <tr> <td>d</td> <td></td> <td>Ø 32</td> <td>4x</td> </tr> <tr> <td>e</td> <td></td> <td>M8 x 25; DIN 912 A2</td> <td>2x</td> </tr> <tr> <td>f</td> <td></td> <td>Ø 8; DIN 127 A2</td> <td>4x</td> </tr> <tr> <td>g</td> <td></td> <td>Ø 8,4; DIN 9021 A2</td> <td>4x</td> </tr> <tr> <td>h</td> <td></td> <td>SW 13</td> <td>2x</td> </tr> <tr> <td>i</td> <td></td> <td>M8 x 25; DIN 933A2</td> <td>2x</td> </tr> <tr> <td>j</td> <td></td> <td>M6 x 30; DIN 912 Zn</td> <td>2x</td> </tr> <tr> <td>k</td> <td></td> <td>Ø 6; DIN 127 Zn</td> <td>2x</td> </tr> <tr> <td>l</td> <td></td> <td>Ø 6,4; DIN 9021 Zn</td> <td>2x</td> </tr> <tr> <td>m</td> <td></td> <td>Ø 4,8 x 19; DIN 7981 A2</td> <td>4x</td> </tr> <tr> <td>n</td> <td></td> <td>Ø 5,3; DIN 9021 A2</td> <td>4x</td> </tr> </table>	a		Ø 8,4; DIN 9021 Zn	4x	b		Ø 8; DIN 127 Zn	4x	c		M8; DIN 934 Zn	4x	d		Ø 32	4x	e		M8 x 25; DIN 912 A2	2x	f		Ø 8; DIN 127 A2	4x	g		Ø 8,4; DIN 9021 A2	4x	h		SW 13	2x	i		M8 x 25; DIN 933A2	2x	j		M6 x 30; DIN 912 Zn	2x	k		Ø 6; DIN 127 Zn	2x	l		Ø 6,4; DIN 9021 Zn	2x	m		Ø 4,8 x 19; DIN 7981 A2	4x	n		Ø 5,3; DIN 9021 A2	4x
a		Ø 8,4; DIN 9021 Zn	4x																																																						
b		Ø 8; DIN 127 Zn	4x																																																						
c		M8; DIN 934 Zn	4x																																																						
d		Ø 32	4x																																																						
e		M8 x 25; DIN 912 A2	2x																																																						
f		Ø 8; DIN 127 A2	4x																																																						
g		Ø 8,4; DIN 9021 A2	4x																																																						
h		SW 13	2x																																																						
i		M8 x 25; DIN 933A2	2x																																																						
j		M6 x 30; DIN 912 Zn	2x																																																						
k		Ø 6; DIN 127 Zn	2x																																																						
l		Ø 6,4; DIN 9021 Zn	2x																																																						
m		Ø 4,8 x 19; DIN 7981 A2	4x																																																						
n		Ø 5,3; DIN 9021 A2	4x																																																						
<p>3 10W5126 2x</p>	<p>4 11W5030 4x</p> <p>M8</p>																																																								
<p>5 10W5037 4x</p> <p>Ø10</p>	<p>6 005522.1 2x</p>																																																								
<p>7 10W5026 4x</p> <p>Ø6,5</p>																																																									

Artikel-Nr:
 10W4513(S) stainless steel
 10W5513 black steel

Revision 6: 06.04.2023

Step 1

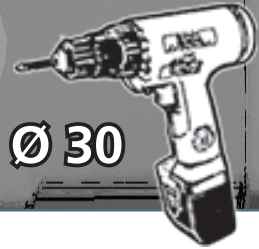


18 mm | 230 mm | 230 mm | 18 mm

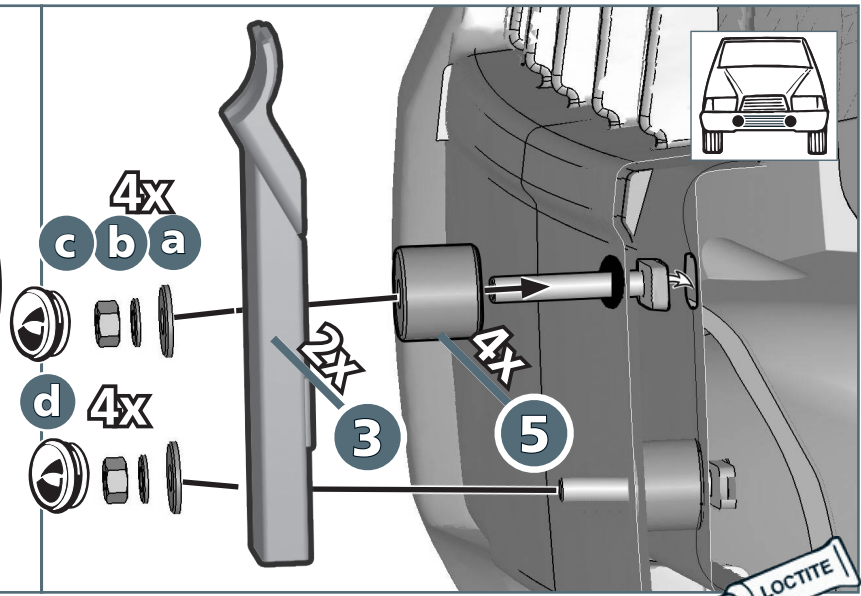
68 mm

68 mm

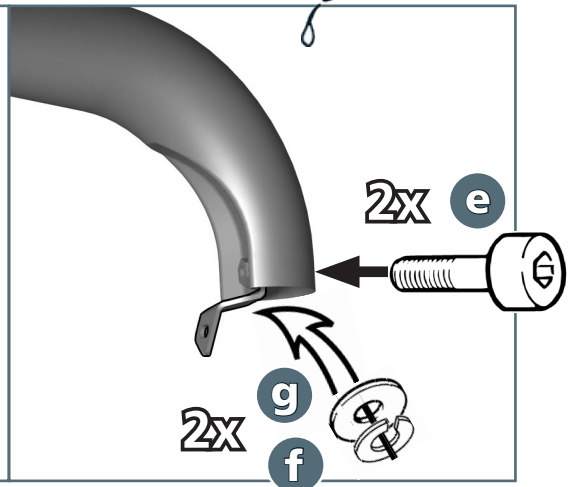
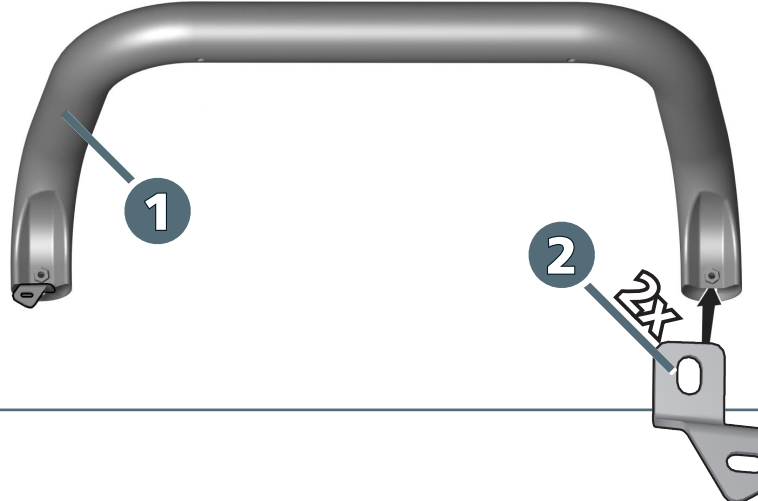
4x Ø 30

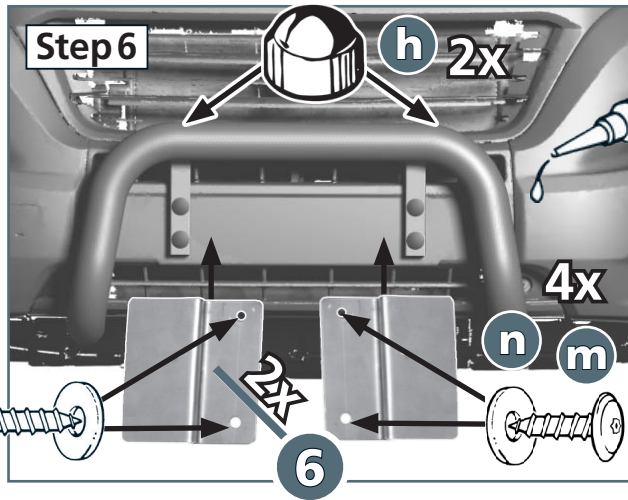
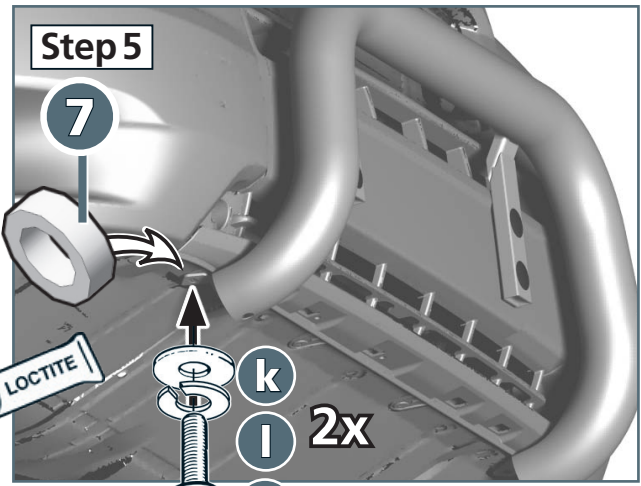
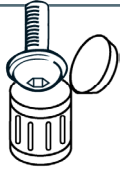
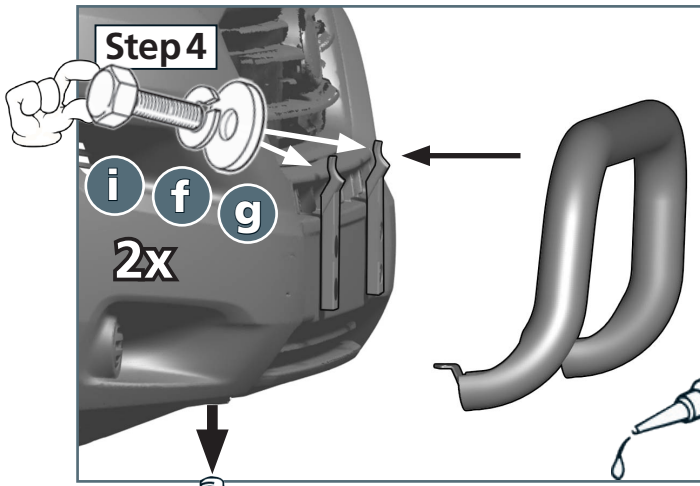


Step 2



Step 3





M6:
 10 Nm
M8 (A2):
 21,4 Nm
M8:
 25 Nm