

18C
4151

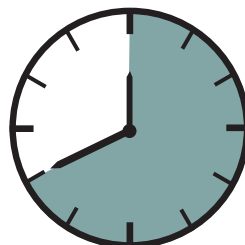
VW T6, Modell 2015 =>
VW T5, Md. 04/2003, 10/2009

Flankenschutzrohr oval L2 Radstand 3400mm
oval Side bar L2 wheel base 3400mm
Côté bar ovale L2 empattement 3400mm



ASSEMBLY INSTRUCTION

Montageanleitung • Instructions de montage



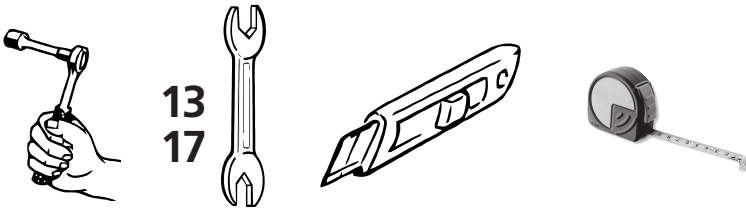
40 Minuten

article no.:
18C4151 (S) inox
18C5151 black steel

Revision 5: 27.11.2018

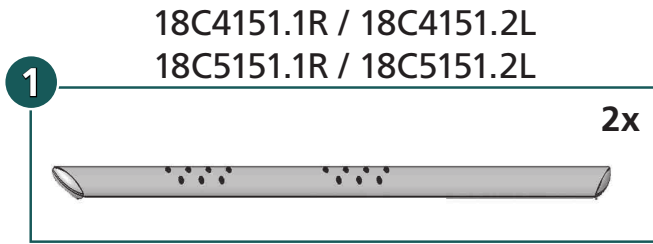

www.antec-online.de

M8 (A2):
21,4 Nm
M8:
25 Nm
M10:
50 Nm

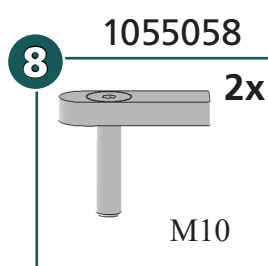
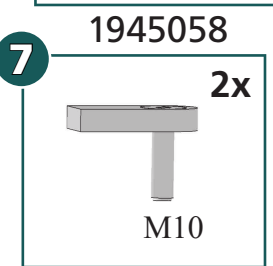
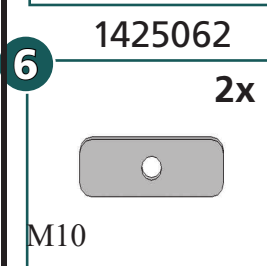
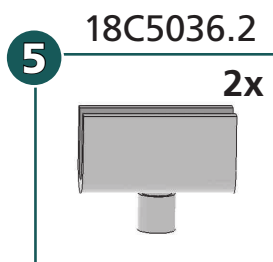
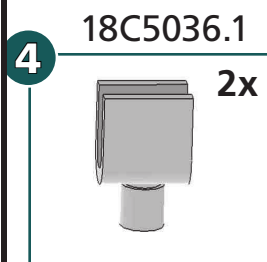
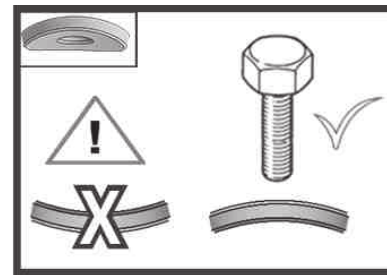
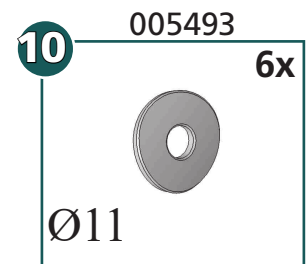
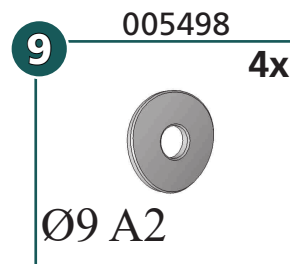
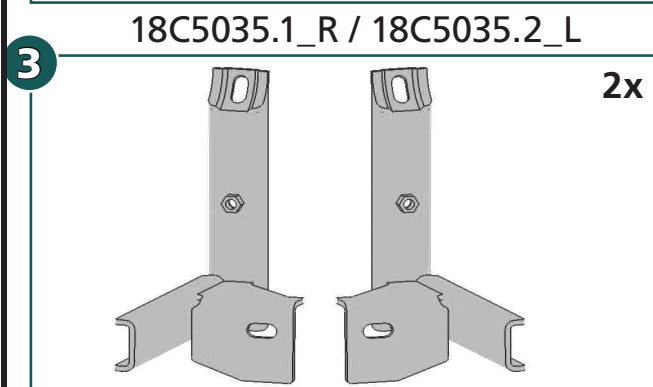
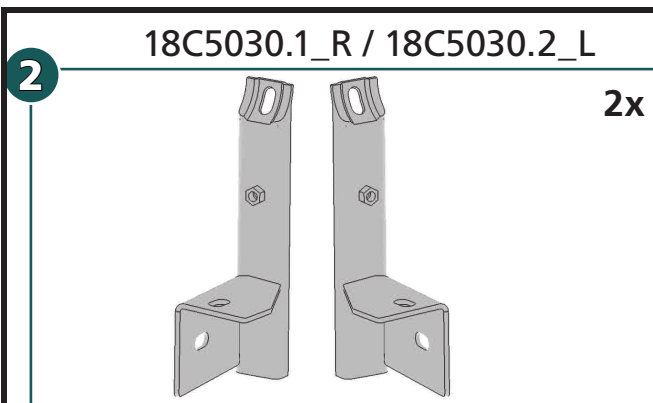


13
17

mounting kit: 18C9051



	M8 x 25; DIN 933 A2	4x
	M8 x 35; DIN 933 Zn	4x
	M10 x 25; DIN 933 Zn	2x
	M8; DIN 934 Zn	4x
	M10; DIN 934 Zn	4x
	Ø 8,4; DIN 9021 Zn	4x

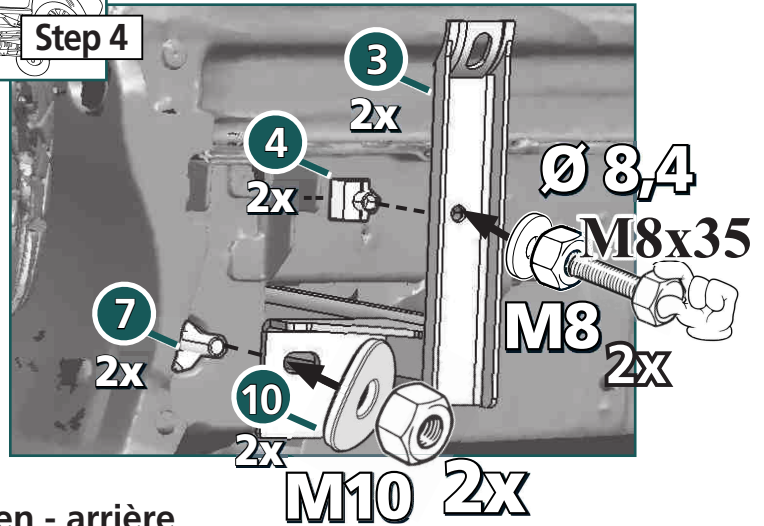
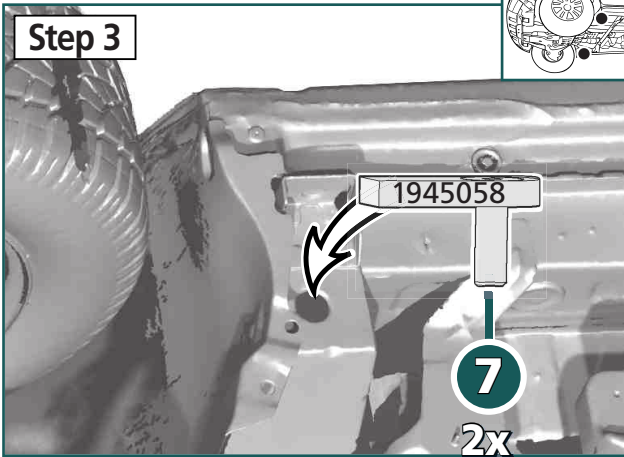
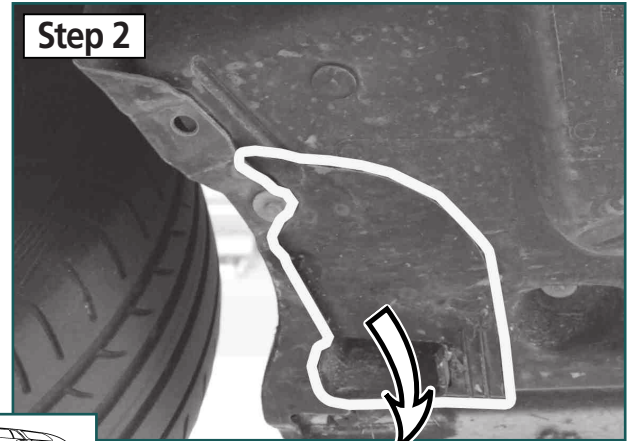
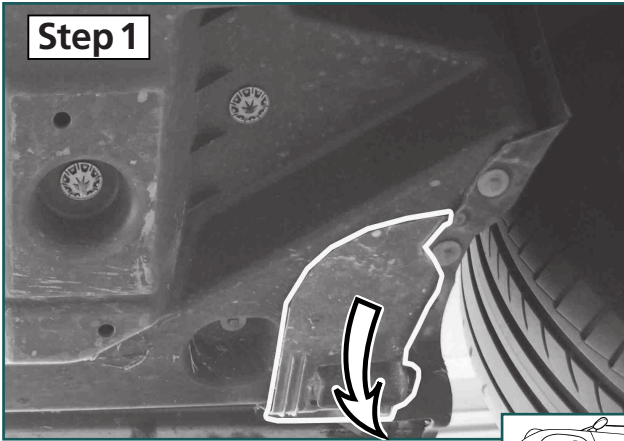


article no.:
18C4151 (S) inox
18C5151 black steel

Revision 5: 27.11.2018



front - vorne - avant



back - hinten - arrière

