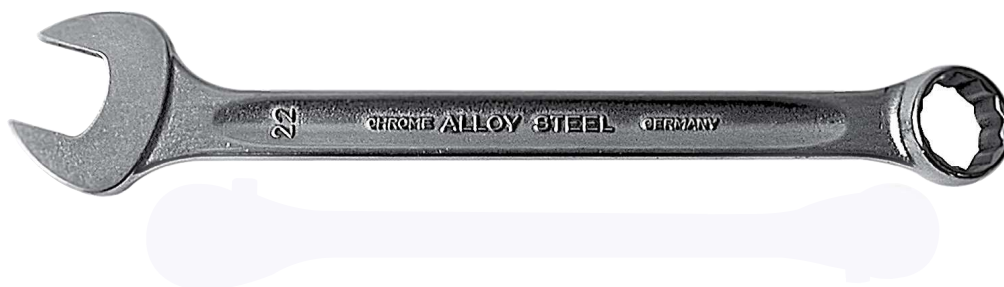
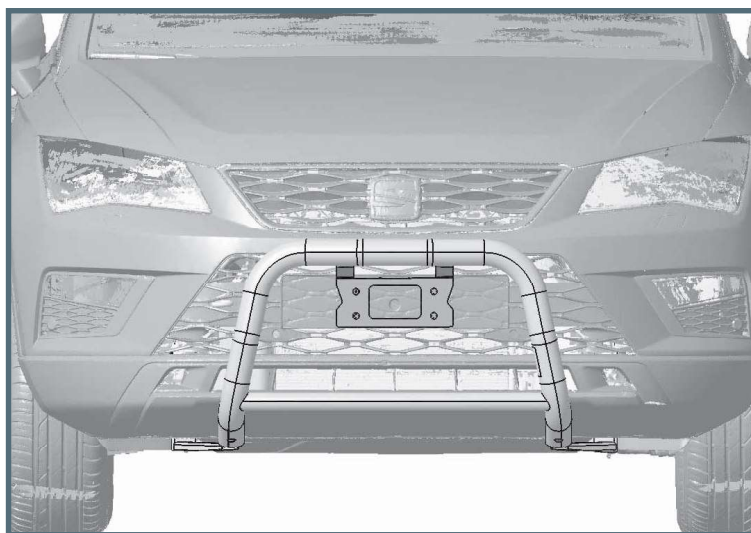


**19B**  
**4013**

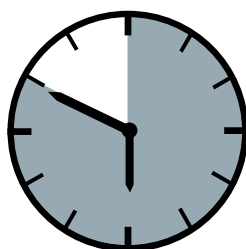
## Seat Ateca, Md. 07/2016

EU-Personenschutzbügel 60 mm mit Querrohr 42 mm  
EU-Pedestrian Protection Bar 60 mm with cross pipe 42mm  
Protection avant, homologuée CEE, 60 mm, traverse 42mm



# ASSEMBLY INSTRUCTION

Montageanleitung • Instructions de montage

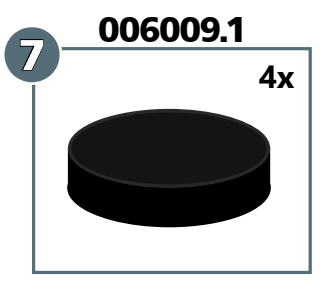
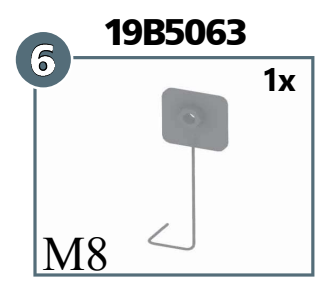
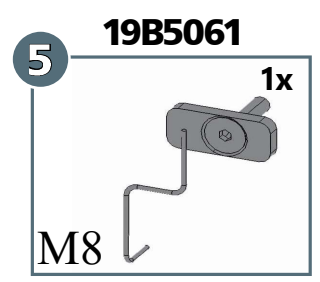
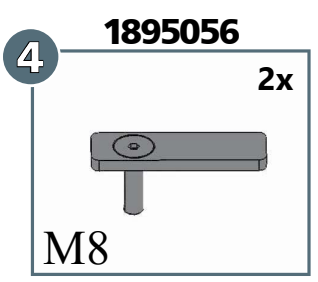
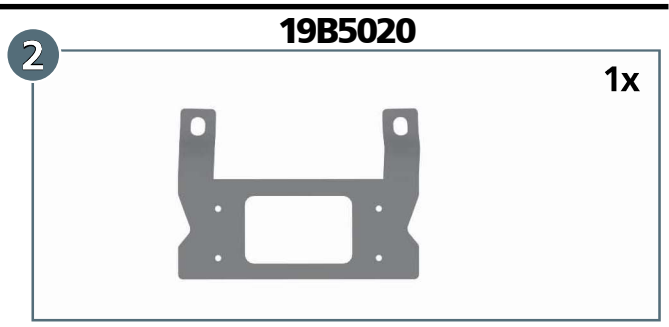
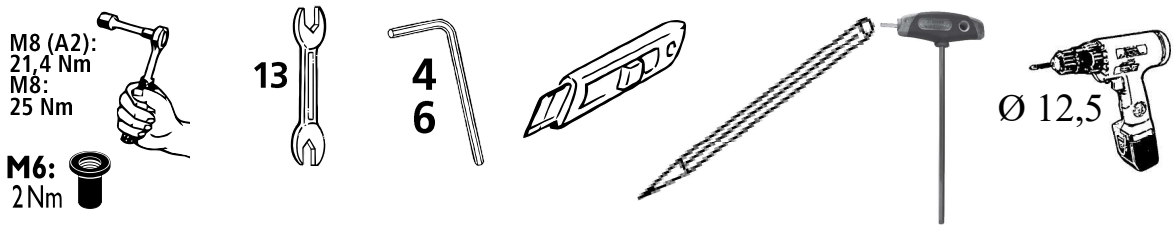


**50 Minuten**

article no.:  
**19B4013 (S) inox**  
**19B5013 black steel**

**Revision 2: 27.04.2020**





**mounting kit: 19B9013**

<b>a</b>		M6x25; DIN 7991 Zn	4x
<b>b</b>		M8x20; DIN 912 A2	4x
<b>c</b>		M8x50; DIN 912 Zn	1x
<b>d</b>		M8x25; DIN 933 A2	2x
<b>e</b>		M8; DIN 934 Zn	3x
<b>f</b>		Ø 8; DIN 127 A2	6x
<b>g</b>		Ø 8; DIN 127 Zn	4x
<b>h</b>		Ø 8,4; DIN 9021 A2	4x
<b>i</b>		Ø 8,4; DIN 9021 Zn	2x
<b>j</b>		Ø 8,4; DIN 125 Zn	2x
<b>k</b>		Ø 8,4; DIN 125 A2	2x
<b>l</b>		Getowell M6	4x
<b>m</b>		SW 13	2x



article no.:  
**19B4013 (S) inox**  
**19B5013 black steel**

Revision 2: 27.04.2020



