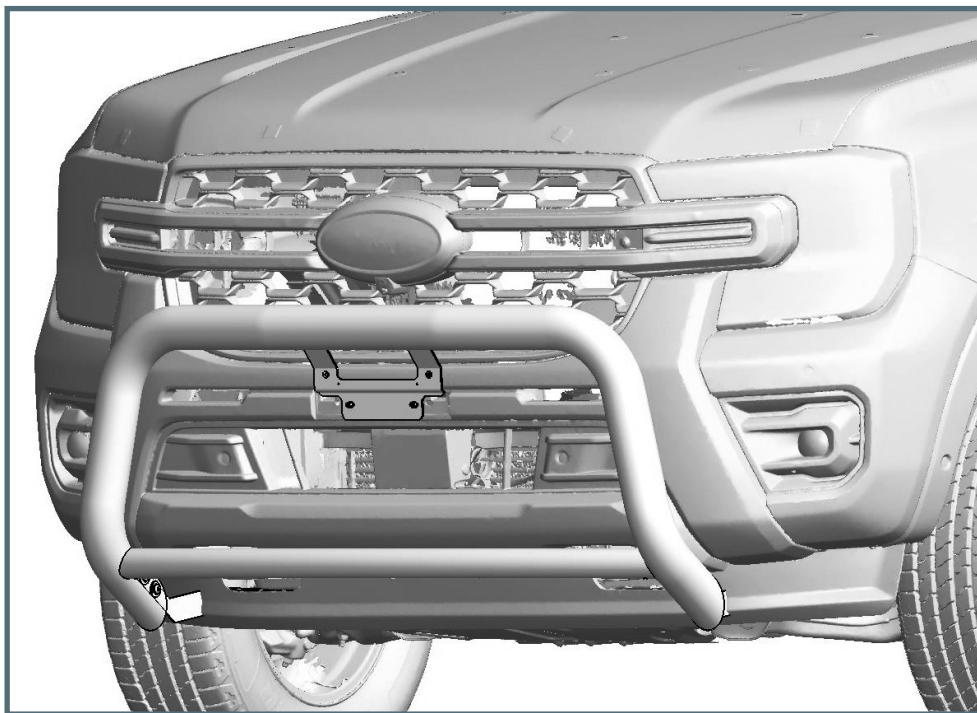


15V
4213NC

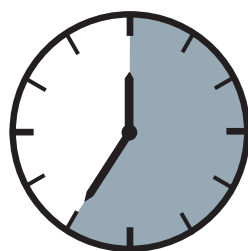
Ford Ranger; Md. 2023

EU-Pedestrian Protection Bar 76 mm with cross pipe 51 mm
EU-Personenschutzbügel 76 mm mit Querrohr 51 mm
Protection avant, homologuée CEE, 76 mm, traverse 51 mm



ASSEMBLY INSTRUCTION

Montageanleitung • Instructions de montage



35 Minuten

article no.:

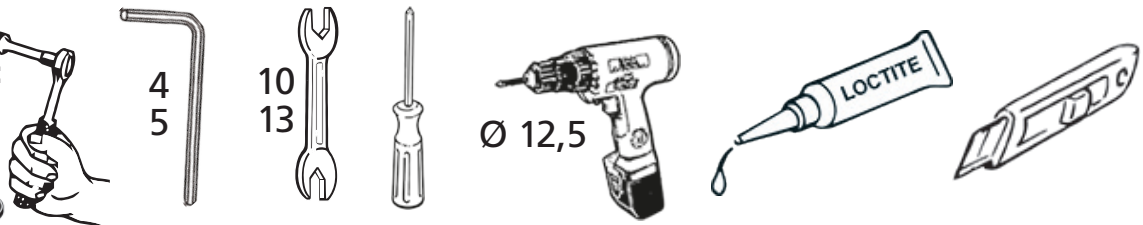
15V4213NC (S) inox

15V5213NC black steel

Revision 2: 05.02.2024



M6(A2):
8,8 Nm
M8 (A2):
21,4 Nm
M8 (Zn):
25 Nm



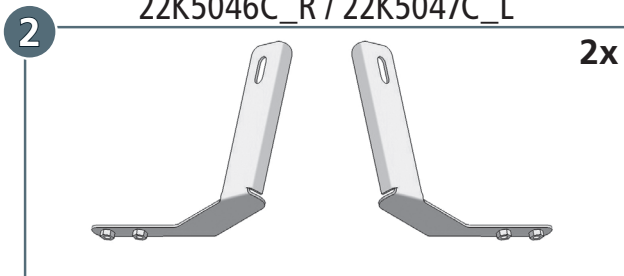
M6:
2 Nm

15V4213.1C(S) / 15V5213.1C

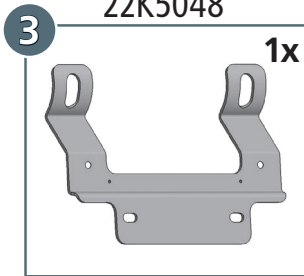


mounting kit: 15V9313NC

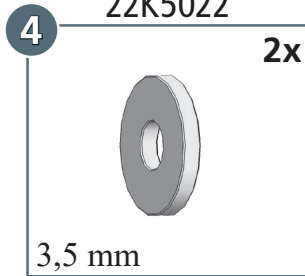
22K5046C_R / 22K5047C_L



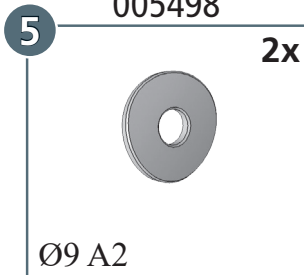
22K5048



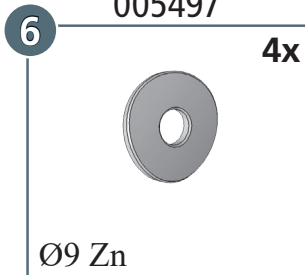
22K5022



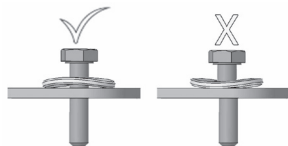
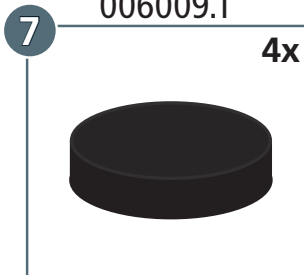
005498



005497



006009.1



	M8x30; DIN 933 A2	2x
	M6x25; DIN 933 A2	2x
	M6x25; DIN 7991 A2	2x
	M8x20; ähnl. ISO 7380 Zn	4x
	Ø6,4; DIN 9021 A2	2x
	GETO-WELL M6	4x
	SW 13	2x
	Ø4,8x19; DIN 7981C A2	2x
	Ø5,3; DIN 9021 A2	2x

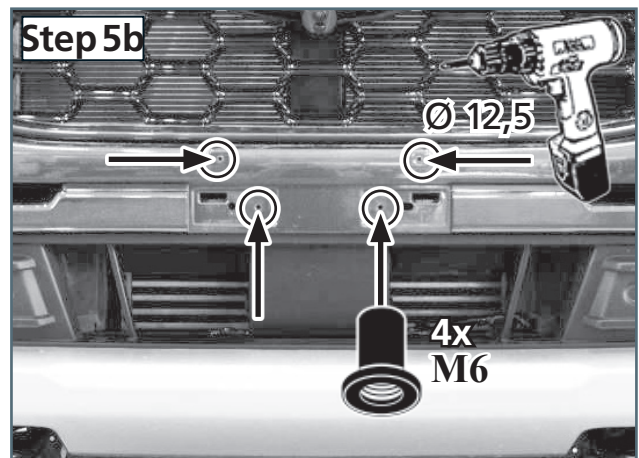
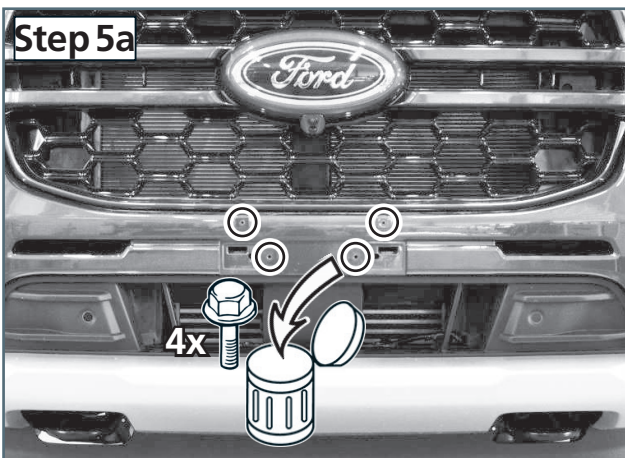
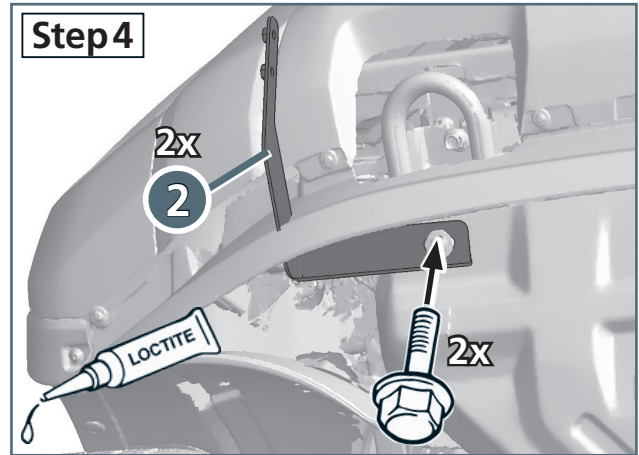
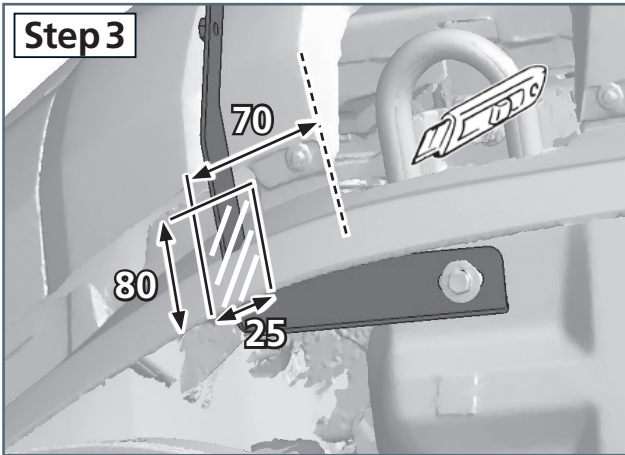
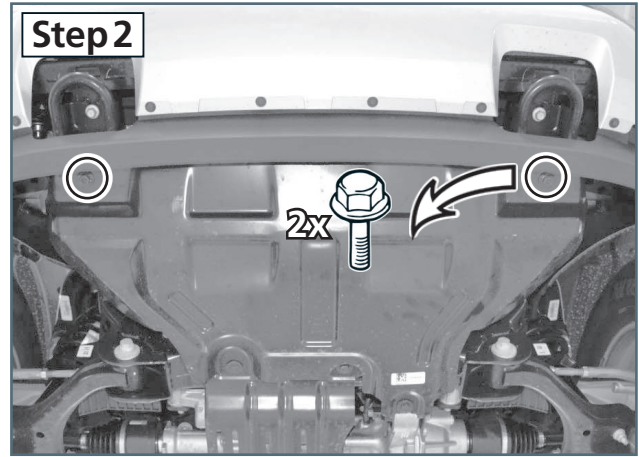
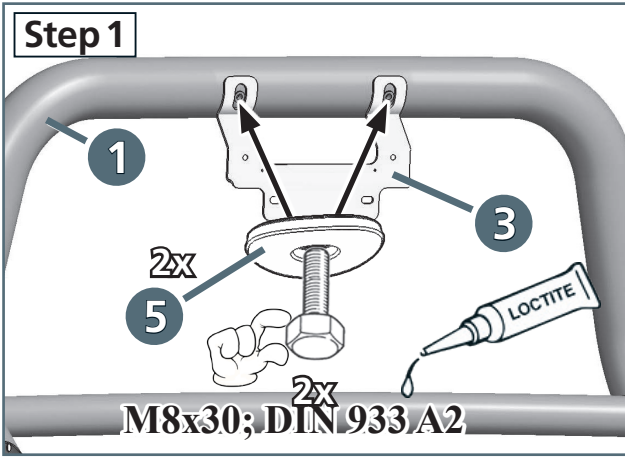
article no.:

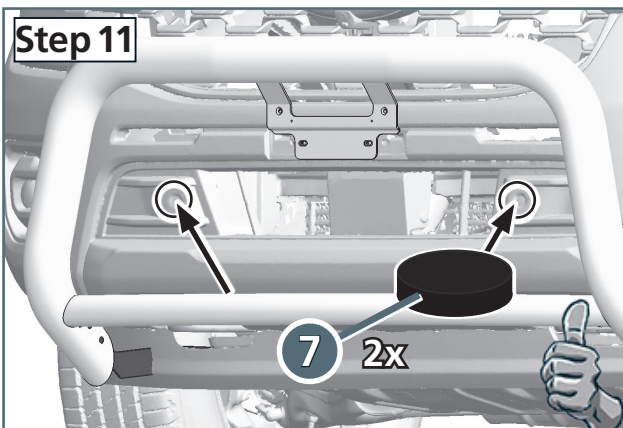
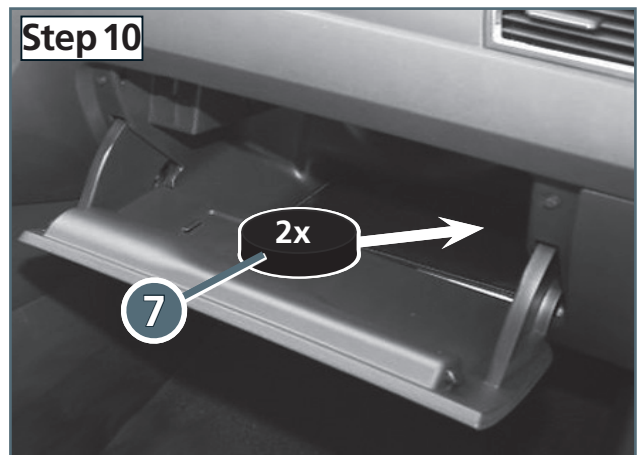
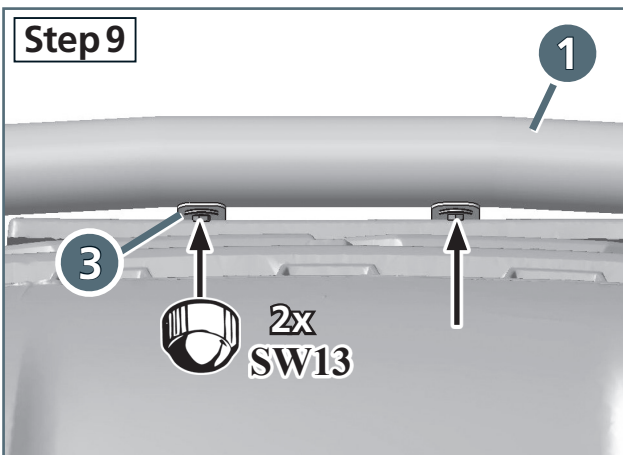
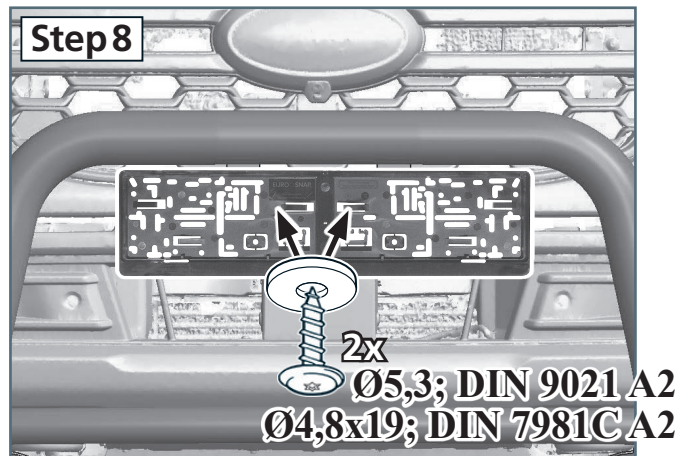
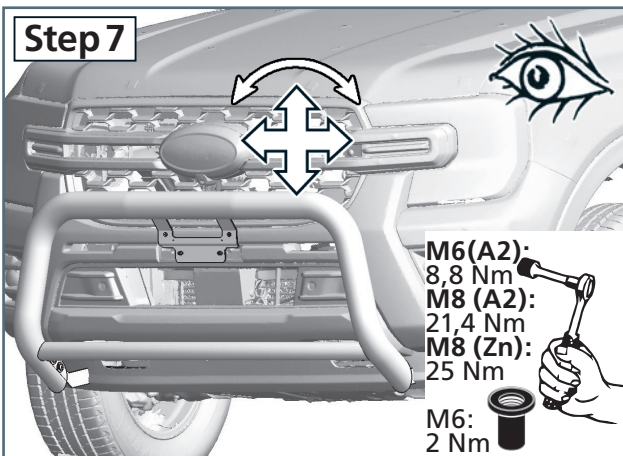
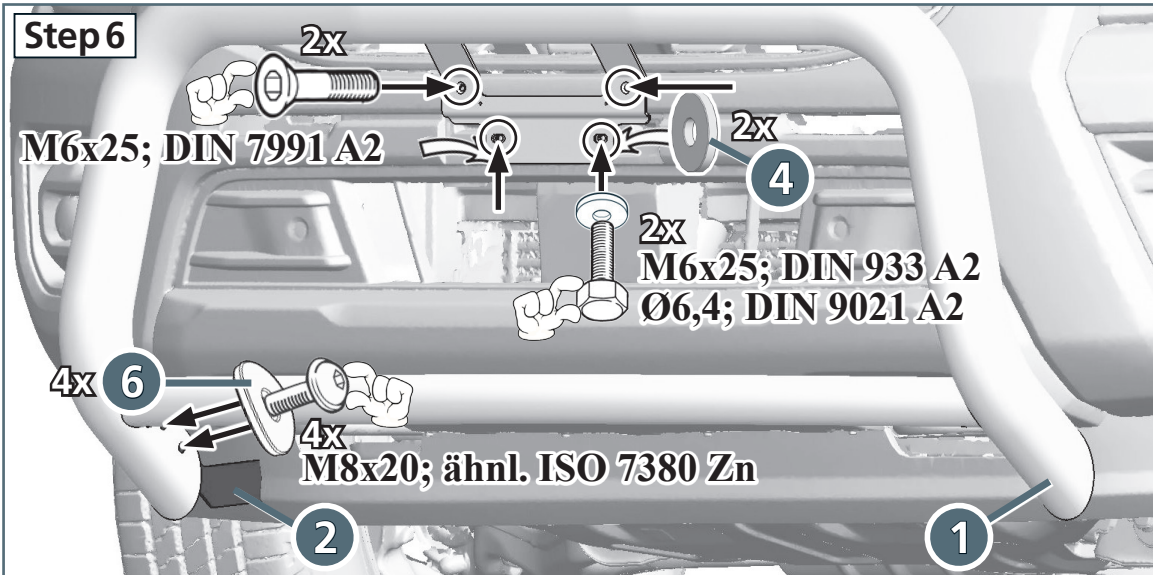
15V4213NC (S) inox

15V5213NC black steel

Revision 2: 05.02.2024







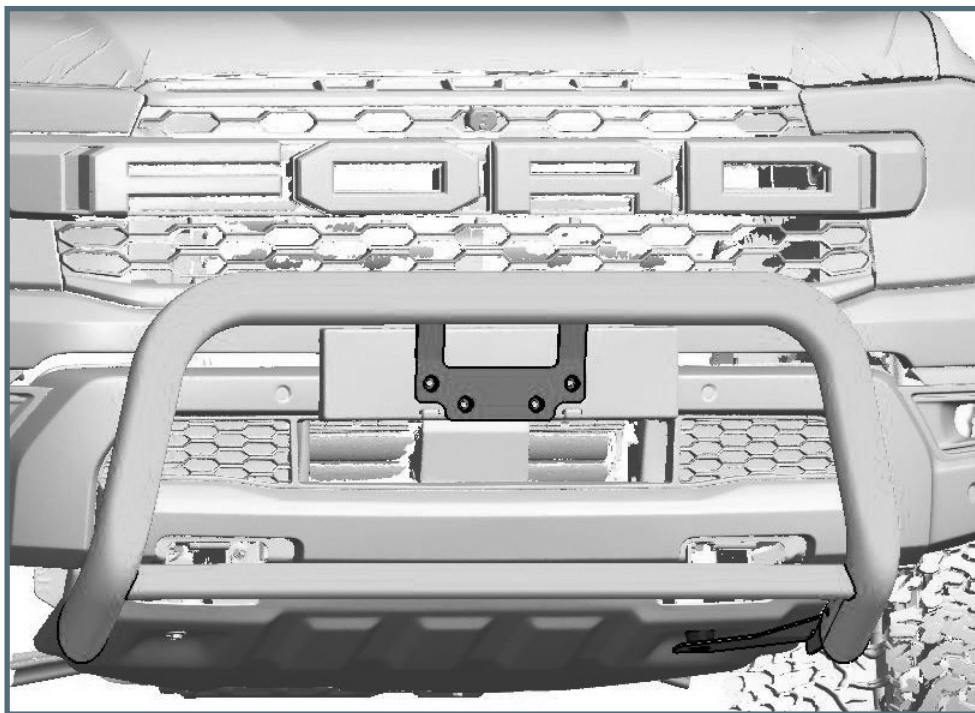
15V
9213RNC

Ford Ranger Raptor; Md. 2023

EU-Pedestrian Protection Bar 76 mm with cross pipe 51 mm

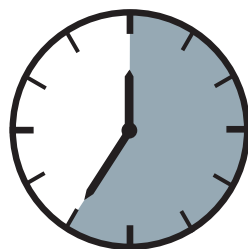
EU-Personenschutzbügel 76 mm mit Querrohr 51 mm

Protection avant, homologuée CEE, 76 mm, traverse 51 mm



ASSEMBLY INSTRUCTION

Montageanleitung • Instructions de montage



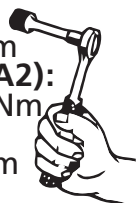
35 Minuten

article no.:
15V9213RNC

Revision 1: 29.02.2024



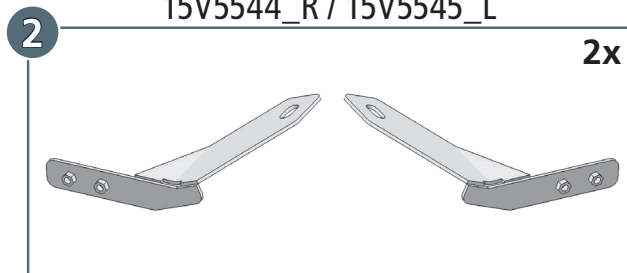
M6:
10 Nm
M8 (A2):
21,4 Nm
M10:
50 Nm



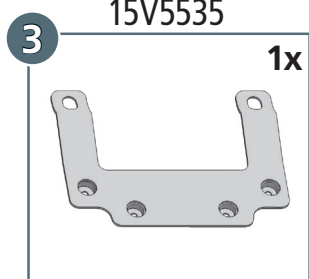
15V4213.1C(S) / 15V4313.1C(S)



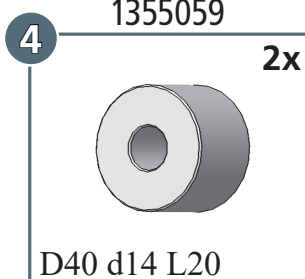
15V5544_R / 15V5545_L



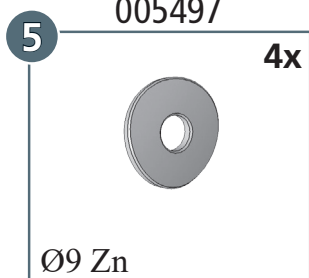
15V5535



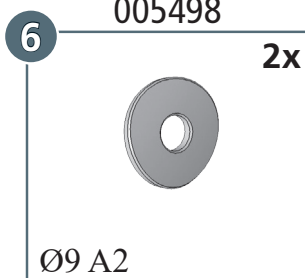
1355059



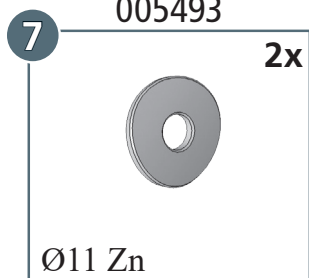
005497



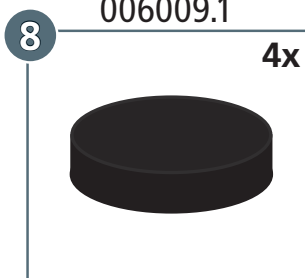
005498



005493



006009.1



	M8x25; DIN 933 A2	2x
	M10x45; DIN 933 Zn	2x
	M6x20; DIN 933 Zn	4x
	M8x25; ähnl. ISO 7380 Zn	4x
	Ø4,8x19; DIN 7981C A2	4x
	Ø5,3; DIN 9021 A2	4x
	Ø6,4; DIN 9021 Zn	4x
	SW 13	2x

