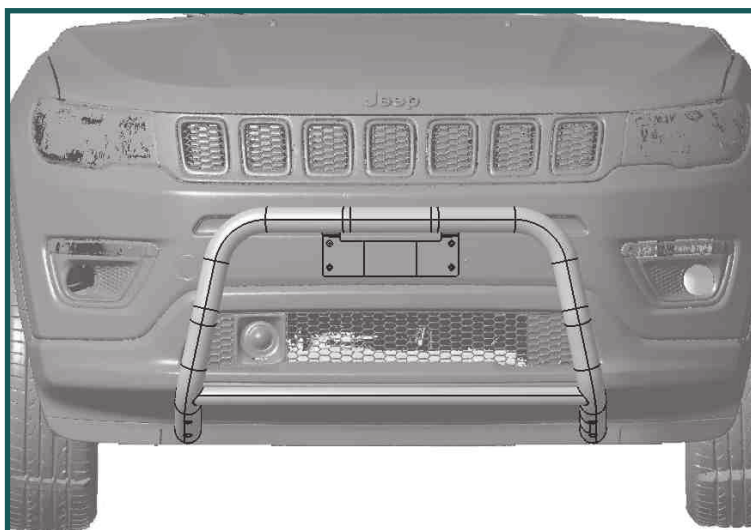


**12T**  
**4413**

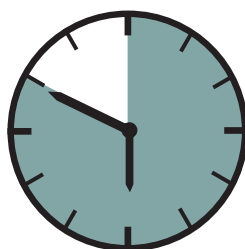
## Jeep Compass, Md. 07/2017

EU-Personenschutzbügel 60 mm mit Querrohr 42 mm  
EU-Pedestrian Protection Bar 60 mm with cross pipe 42mm  
Protection avant, homologuée CEE, 60 mm, traverse 42mm



# ASSEMBLY INSTRUCTION

Montageanleitung • Instructions de montage



**50 Minuten**

article no.:

12T4413 (S) inox

12T5413 black steel

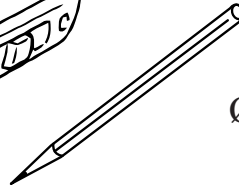
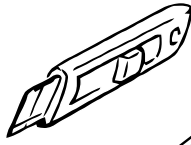
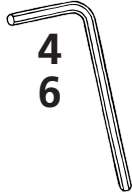
**Revision 2: 02.05.2018**



M6:  
10 Nm  
M8 (A2):  
21,4 Nm



10  
13



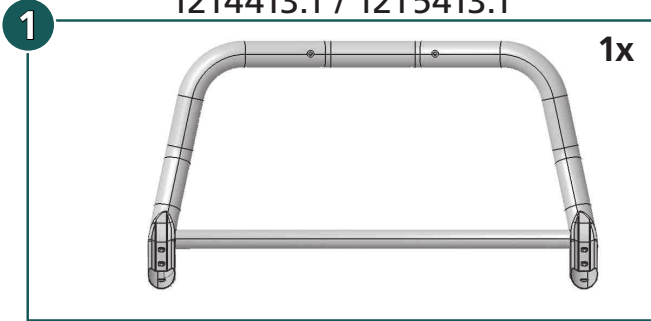
Ø 12,5



M6:  
2Nm



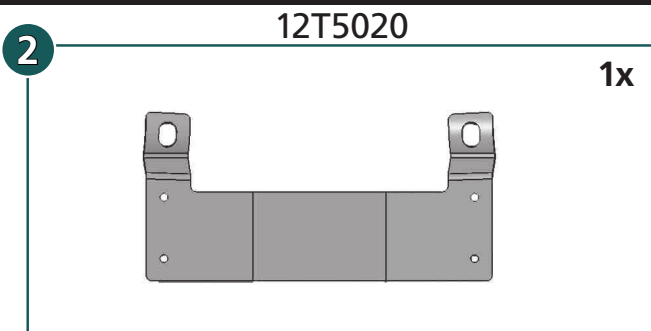
12T4413.1 / 12T5413.1



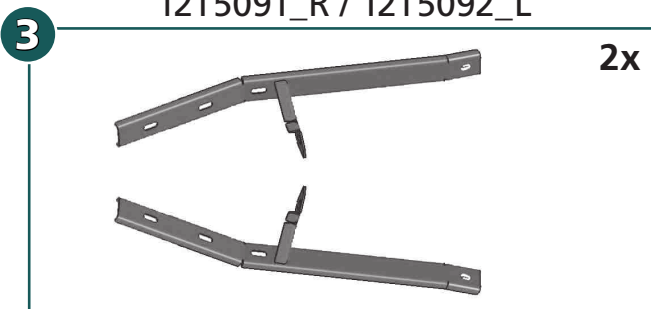
mounting kit: 12T9413

	M6x25; DIN 7991 Zn	4x
	M8x20; DIN 912 A2	4x
	M6x70; DIN 933 Zn	2x
	M8x25; DIN 933 A2	2x
	Ø 6; DIN 127 Zn	2x
	Ø 8; DIN 127 A2	6x
	Ø 6,4; DIN 9021 Zn	2x
	Ø 8,4; DIN 9021 A2	2x
	Ø 8,4; DIN 125 A2	4x
	Getowell M6	4x
	SW 13	2x

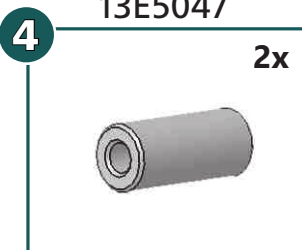
12T5020



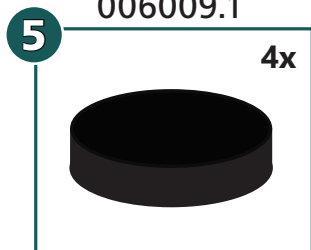
12T5091\_R / 12T5092\_L



13E5047



006009.1



article no.:

12T4413 (S) inox

12T5413 black steel

Revision 2: 02.05.2018



