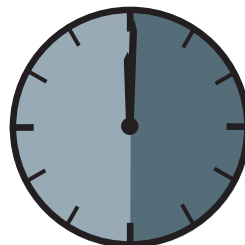


Schublade 1330 / Montagesatz mit 11E9290
Drawer 1330 / Assembly-kit with 11E9290
Tiroir 1330 / Assemble-kit avec 11E9290



ASSEMBLY INSTRUCTION

Montageanleitung • Instructions de montage



90 Minuten

article-no:
006084 black Steel

Revision 9: 21.11.2023



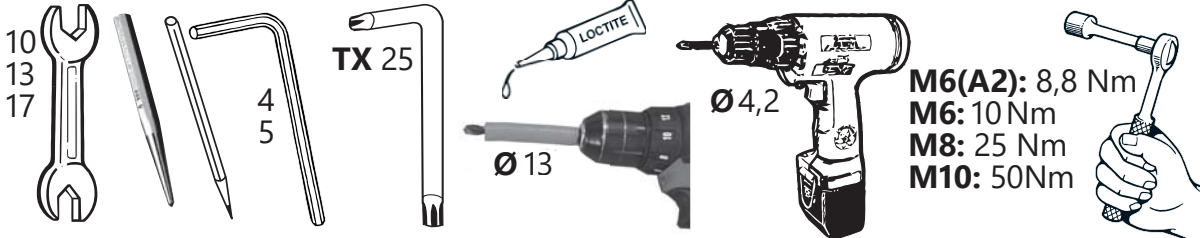
Schublade 1330 / Montagesatz mit 11E9290

Drawer 1330 / Assembly-kit with 11E9290

Tiroir 1330 / Assemble-kit avec 11E9290

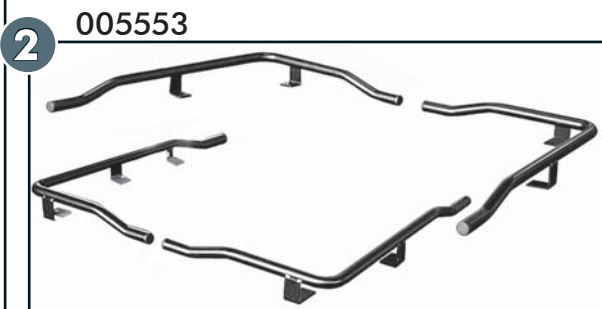
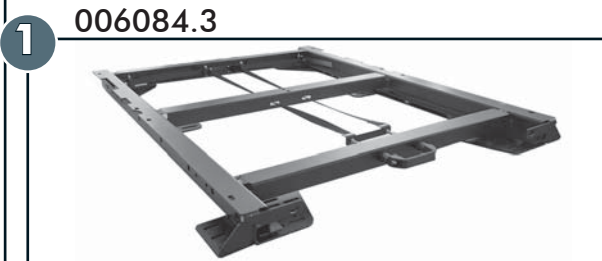


Required tools / Benötigte Werkzeuge / Outillage requis

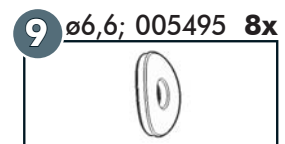
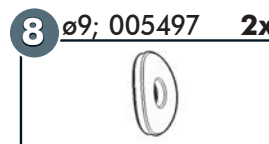


M6(A2): 8,8 Nm
M6: 10 Nm
M8: 25 Nm
M10: 50Nm

Parts list/Teileliste/Lista de accesorios

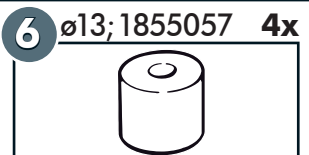
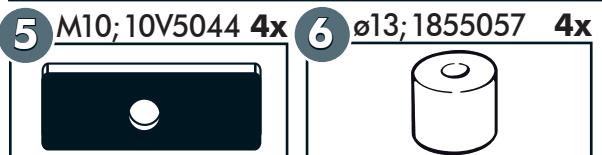


| | | | |
|----------|--|---|-----------|
| a | | ø5,5x25; DIN 7976 | 2x |
| b | | M6x25; DIN 7991 | 8x |
| c | | M6x12; ~ISO7380 | 6x |
| d | | M6x25; ~ISO7380 | 8x |
| e | | M6x20; DIN 933 | 2x |
| f | | M8x20; DIN 933 | 2x |
| g | | M6 weld nut/Anschweißmutter/ soudure écrou | 6x |
| i | | ø6,4; DIN 9021 | 6x |
| m | | M6; DIN 985 Zn | 2x |
| n | | M6; DIN 934 Zn | 8x |



Assembly-kit / Montagesatz / Assemble-kit

11E9290



| | | | |
|----------|--|-----------------|-----------|
| o | | M10x60; DIN 933 | 4x |
| p | | M10; DIN 934 | 4x |

article-no:
006084 black Steel

Revision 9: 21.11.2023

- 2 -

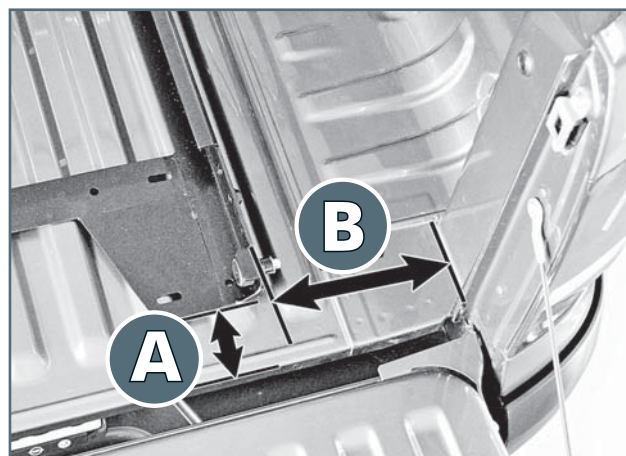


Schublade 1330 / Montagesatz mit 11E9290
Drawer 1330 / Assembly-kit with 11E9290
Tiroir 1330 / Assemble-kit avec 11E9290

4



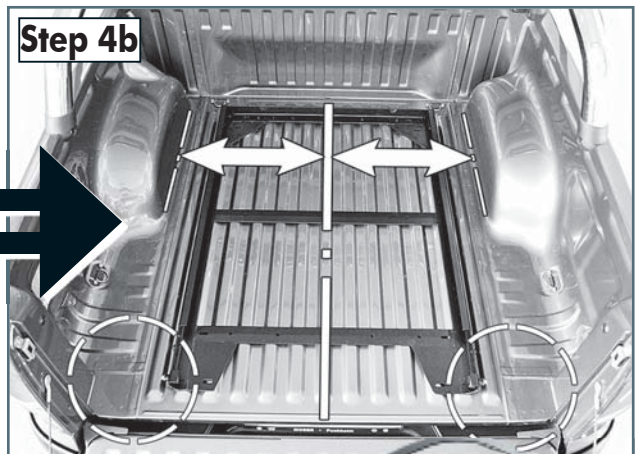
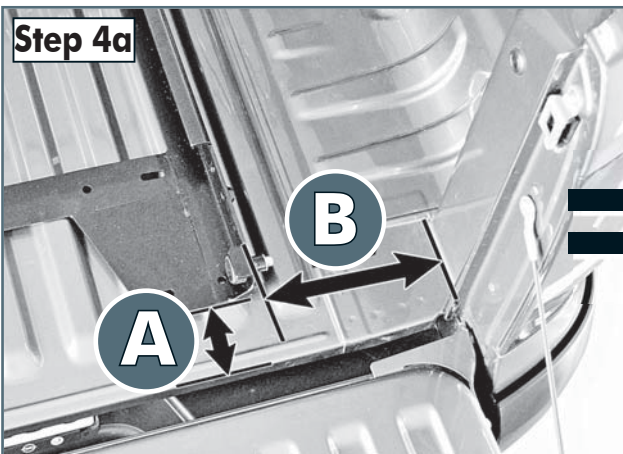
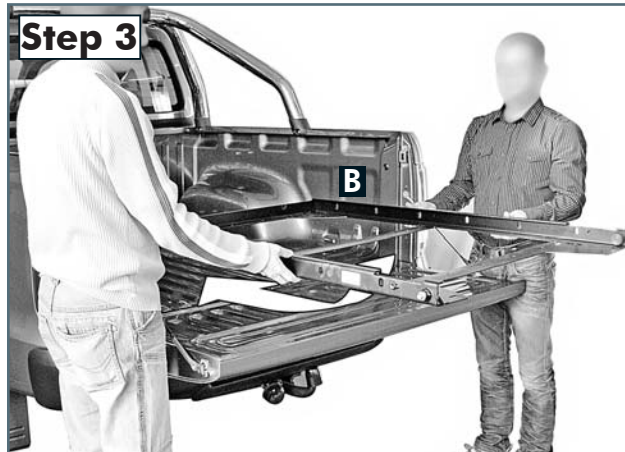
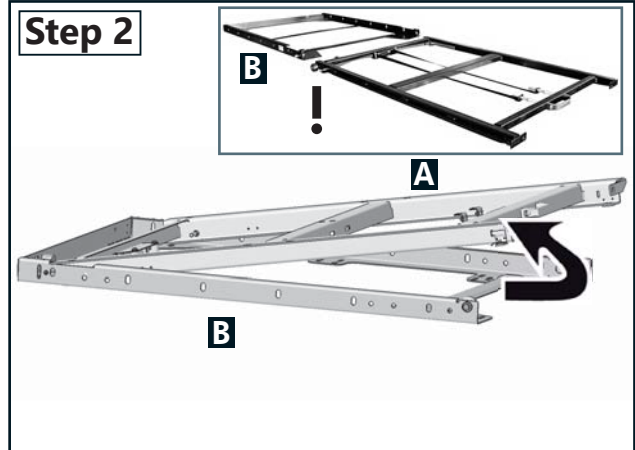
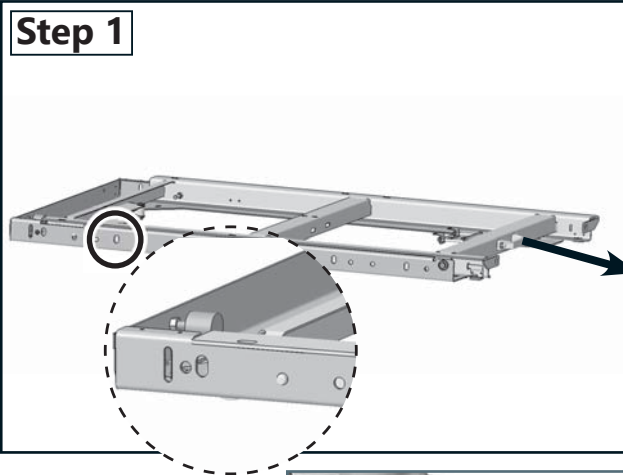
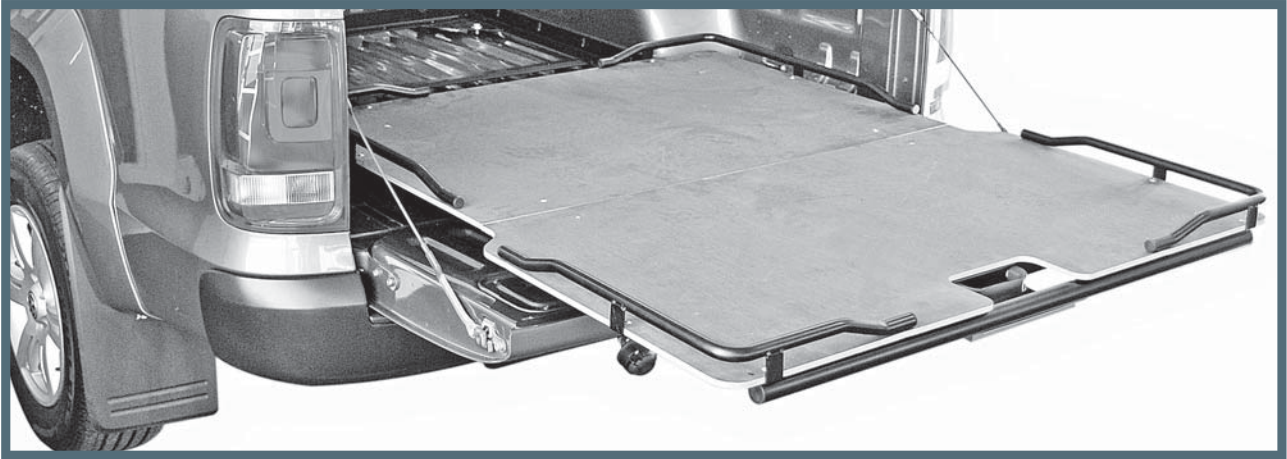
| Artikel-Nr. Item-Nr. numéro d'article | KFZ Hersteller auto- motive manufacturer constructeur automobile | Bezeichnung designation désignation | Modell model modèle | Holzauflagen timber vehicle part exigences bois | A | B |
|---|--|---|---------------------------|---|-----|-----|
| 11E5790N | Ford | Ranger 2019 XL | 2019 | 005563N | 110 | 212 |
| | | Ranger 2019 XLT | | | | |
| | | Ranger 2019 Limited | | | | |
| | | Ranger 2019 Wildtrak | | | | |
| | | Ranger Raptor 2019 | | | | |
| | | Ranger 2023 | 2023 | | | |
| Raptor 2023 | | | | | | |
| 11E5790N | Toyota | Hilux Double Cab | 11/2006 => | 005563N | 110 | 212 |



article-no:
006084 black Steel

Revision 9: 21.11.2023

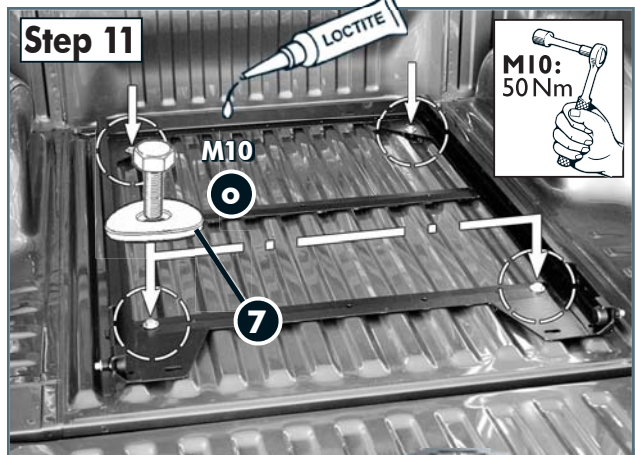
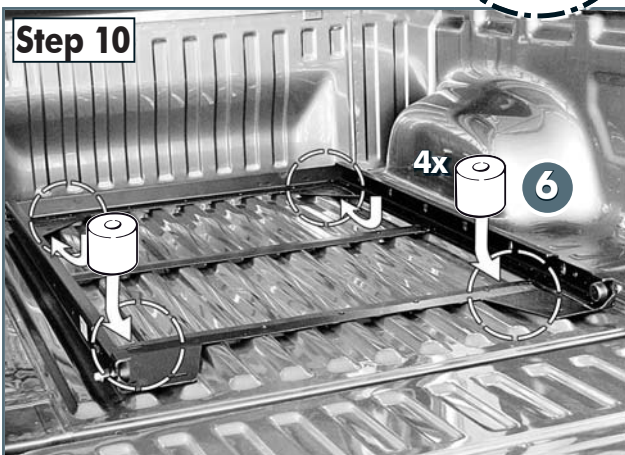
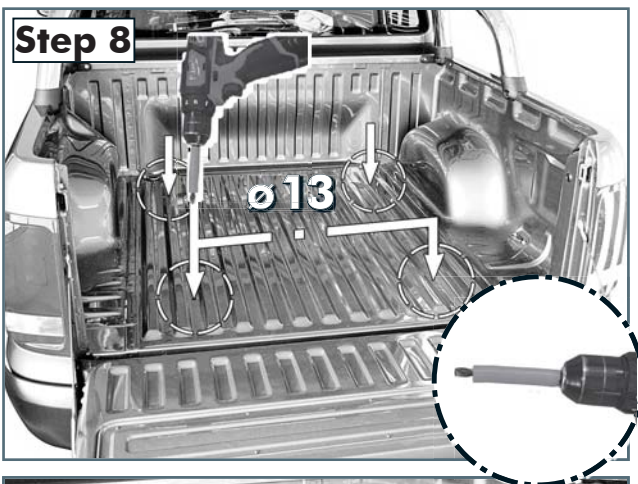
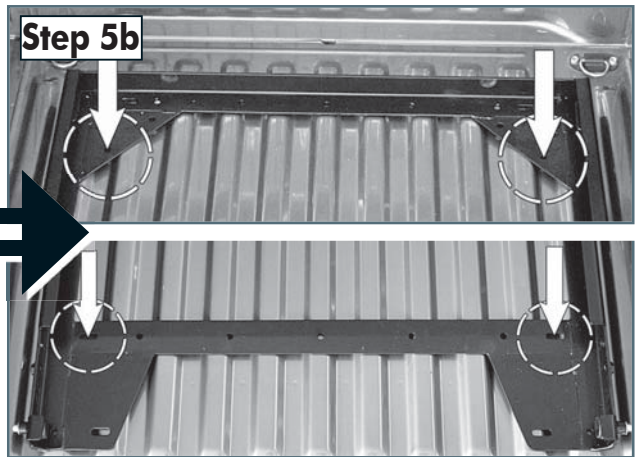




article-no:
006084 black Steel

Revision 9: 21.11.2023

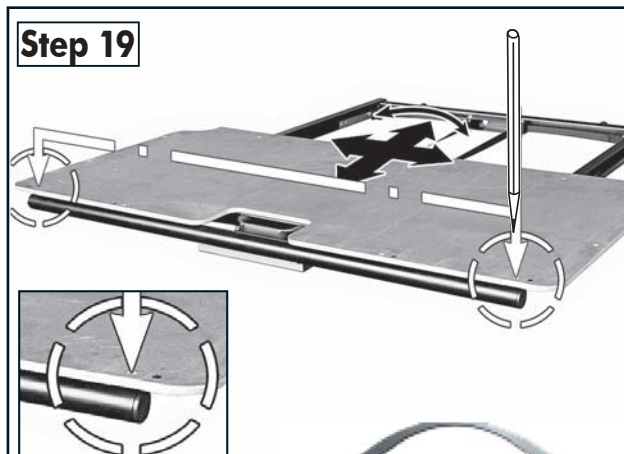
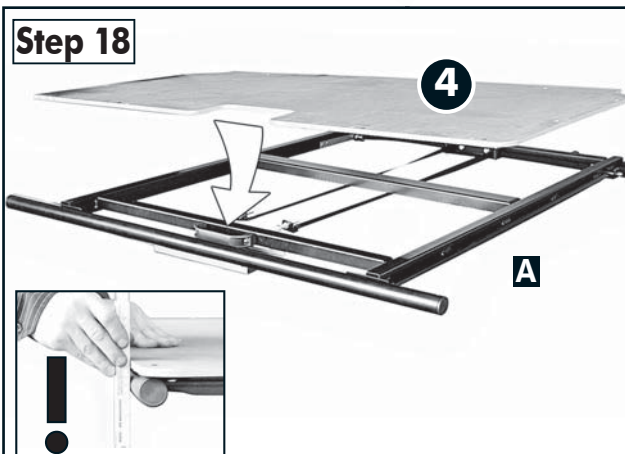
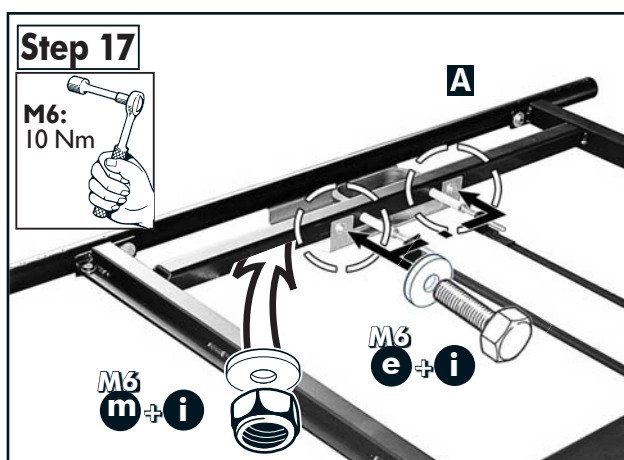
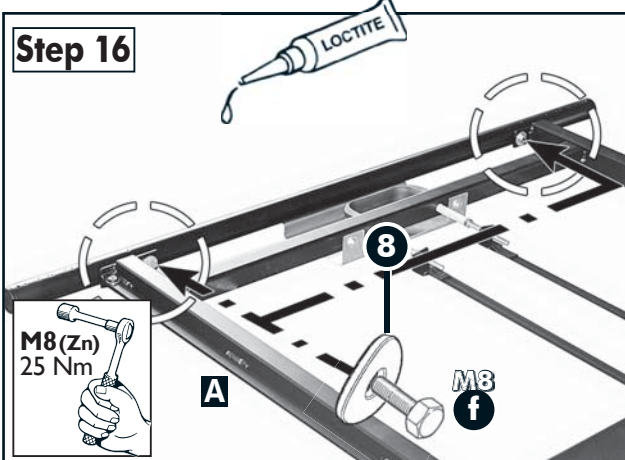
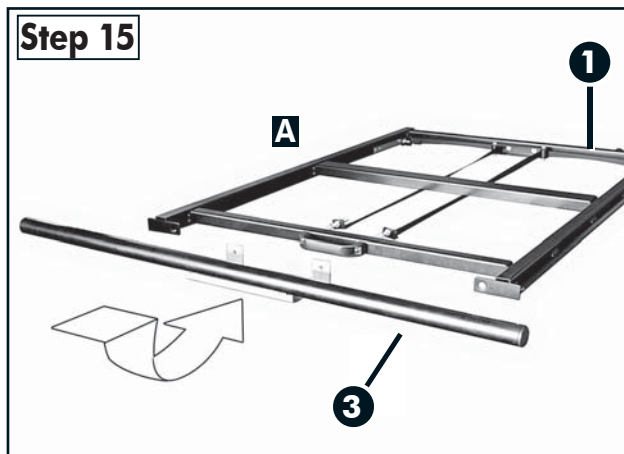
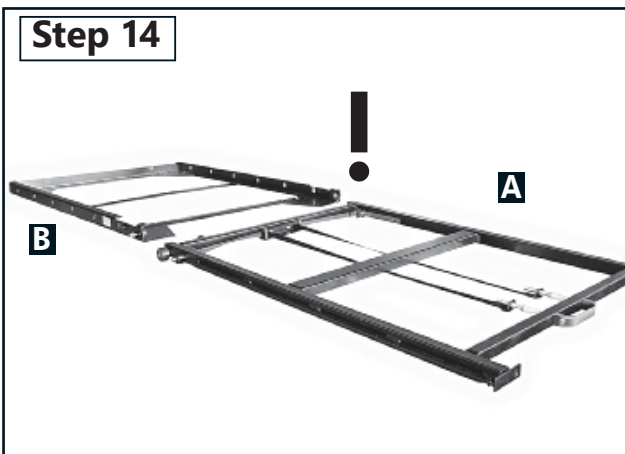
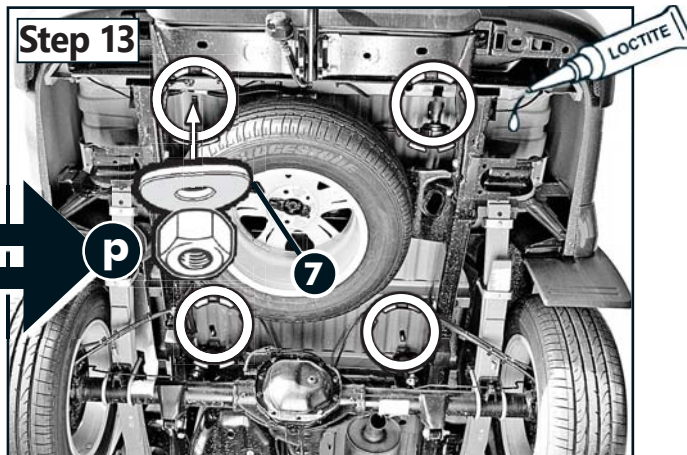
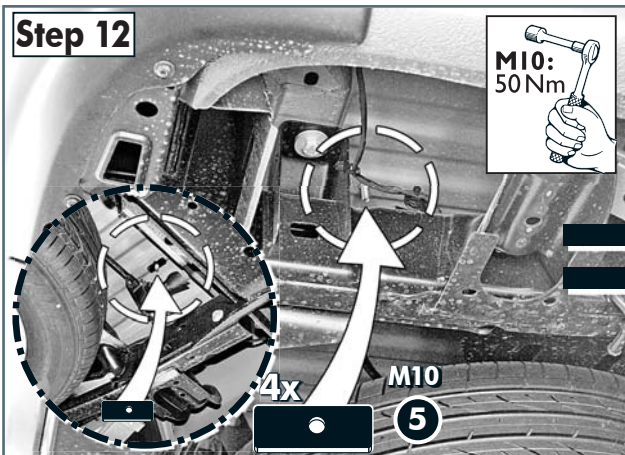




article-no:
006084 black Steel

Revision 9: 21.11.2023

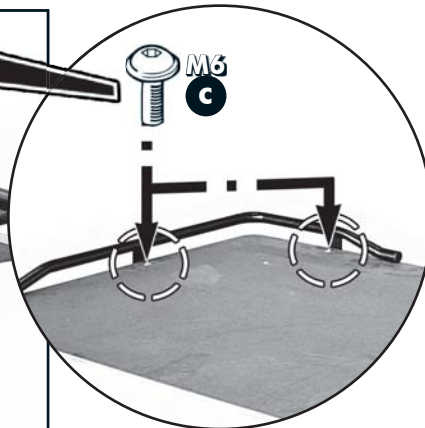
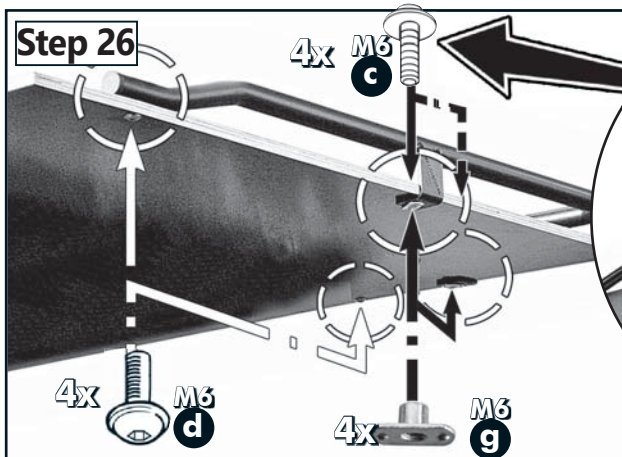
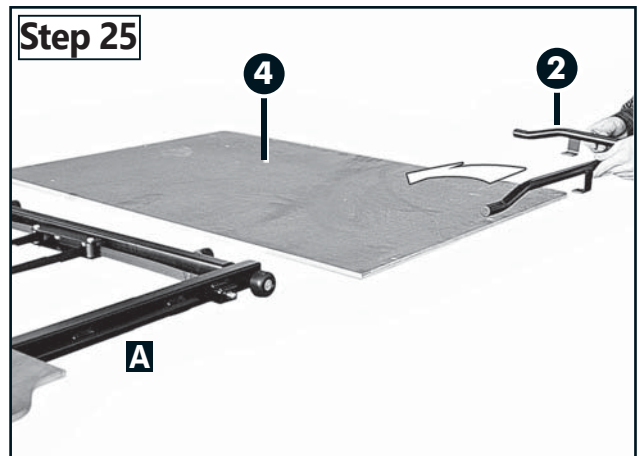
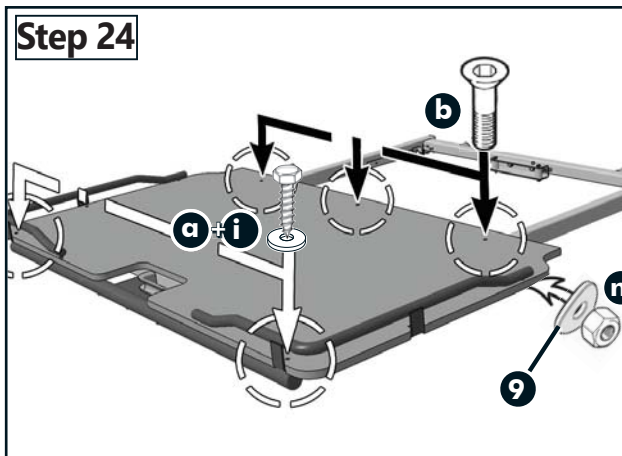
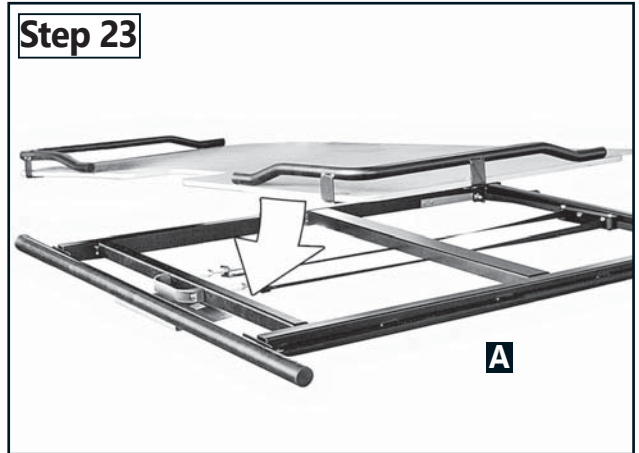
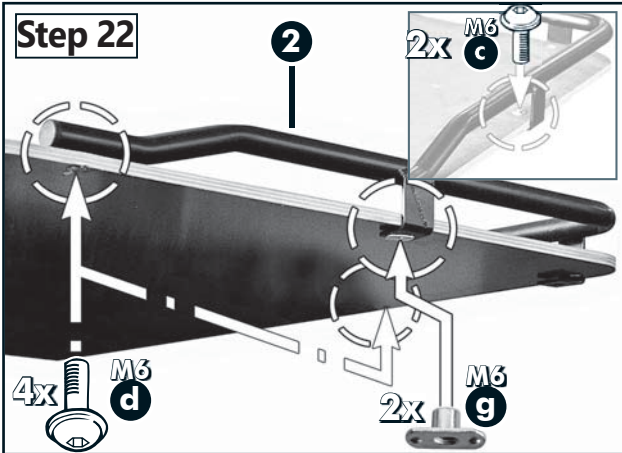
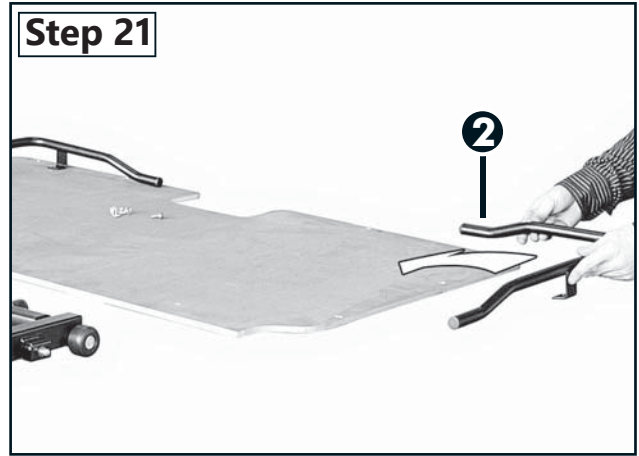
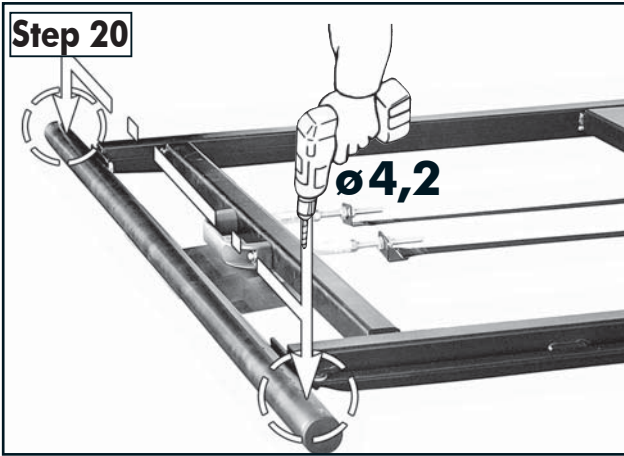




article-no:
006084 black Steel

Revision 9: 21.11.2023

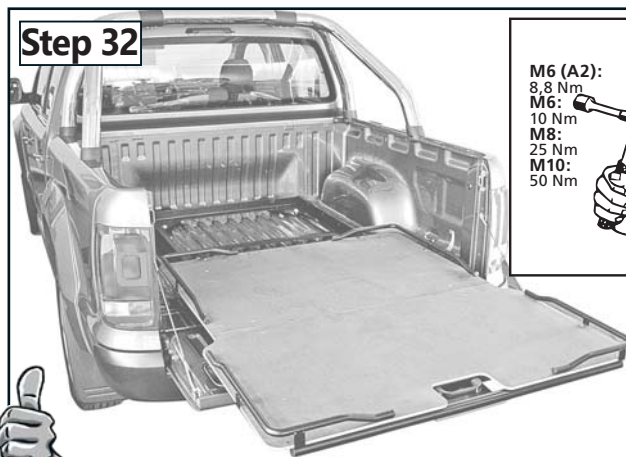
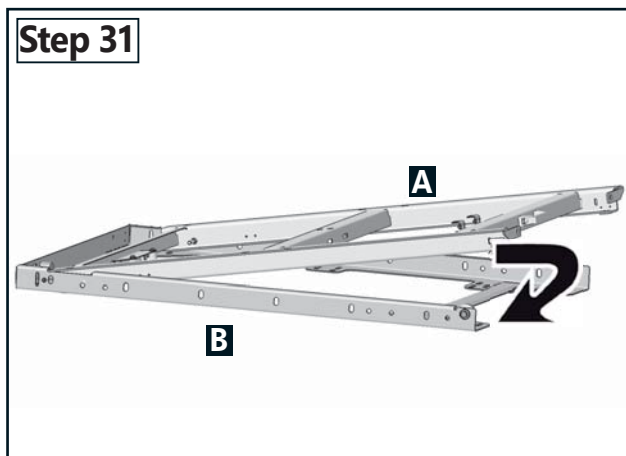
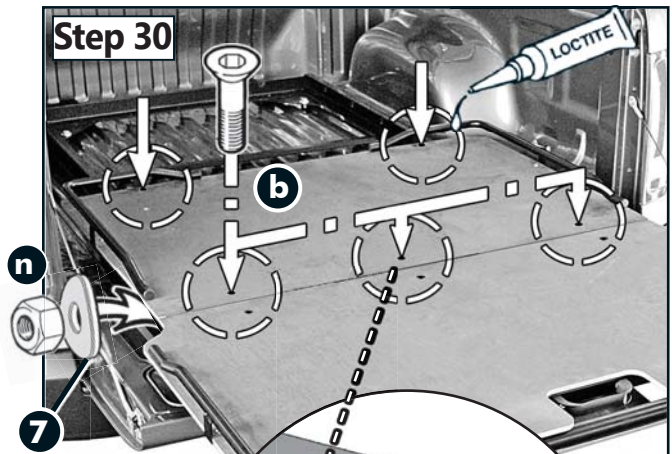
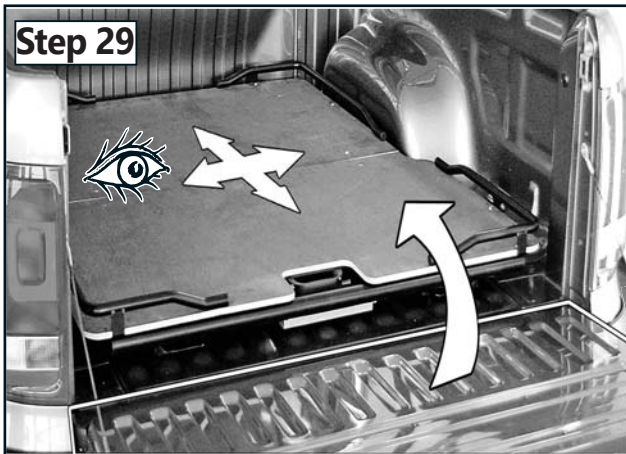
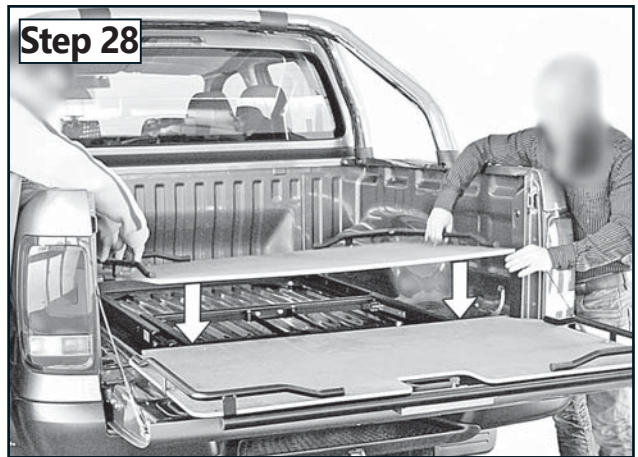
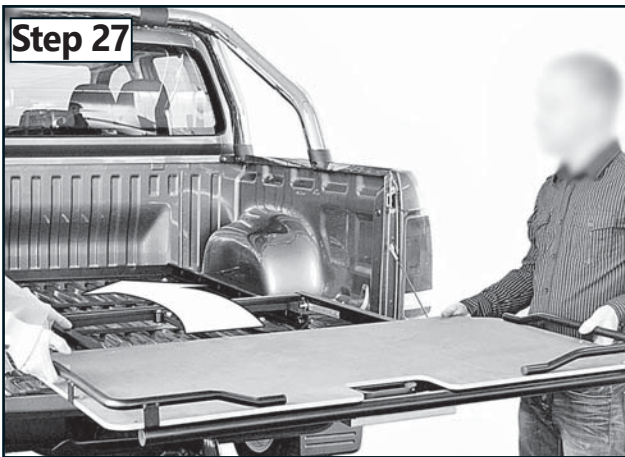




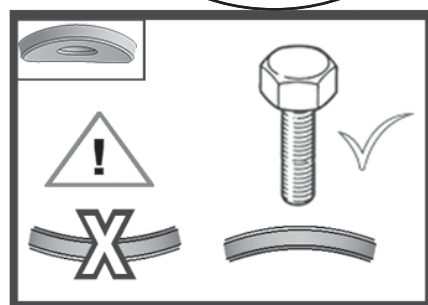
article-no:
006084 black Steel

Revision 9: 21.11.2023





M6 (A2):
 8,8 Nm
 M6:
 10 Nm
 M8:
 25 Nm
 M10:
 50 Nm



**350 kg
 max**



article-no:
 006084 black Steel

Revision 9: 21.11.2023

